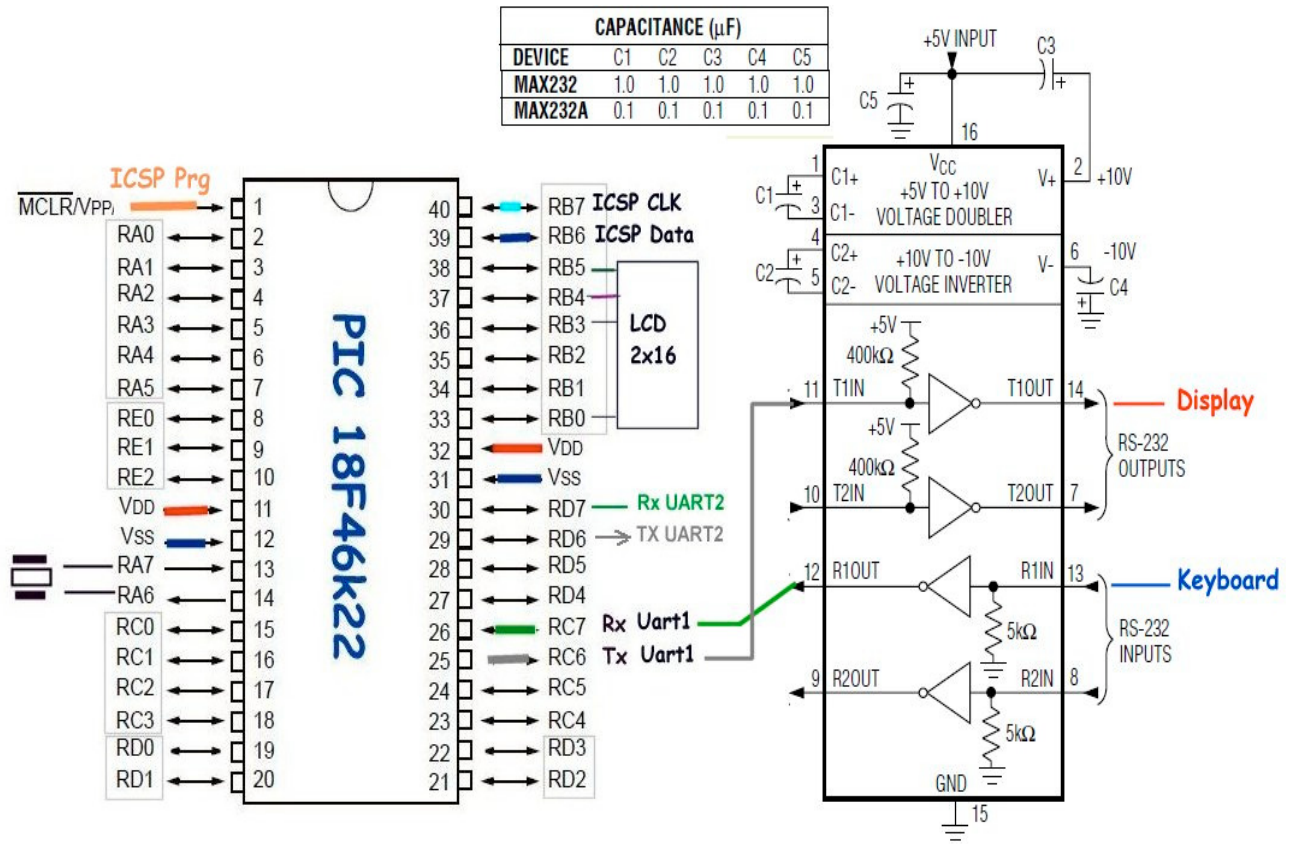


UART CONNECTION BETWEEN PC's RS232 PORT AND PIC18F46k22's RS232 PORT

Check capacitor value following the exact type of Max 232 or Max232A
 And respect the polarity if you use electrochimiques (polarised) condensators
 Best is to use mylar ,but the size is quite bigger than "Tantale goutte"



Correct !

