

Sheet: ESP32



File: ESP32.sch

Sheet: POWER



File: POWER.sch

Sheet: USB



File: USB.sch

Sheet: SD



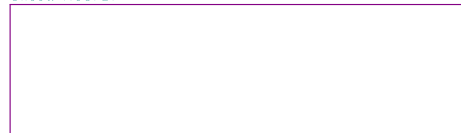
File: SD.sch

Sheet: ENDSTOP



File: ENDSTOP.sch

Sheet: MOSFET



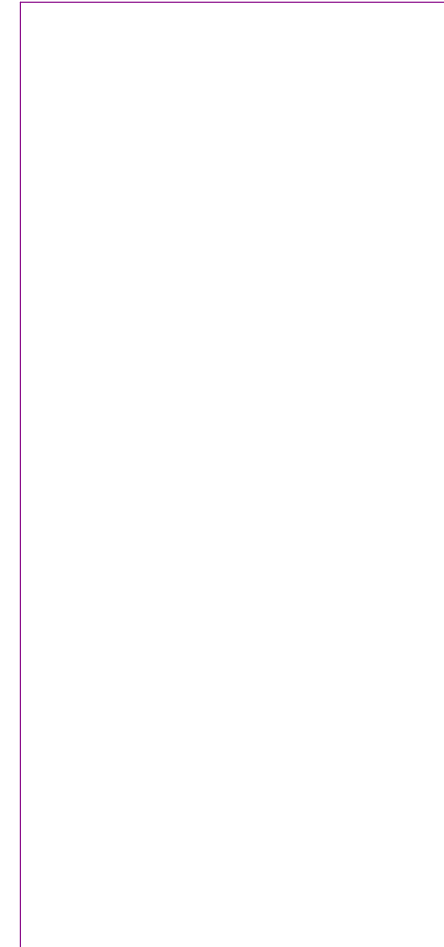
File: MOSFET.sch

Sheet: P-AUX



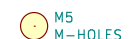
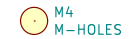
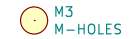
File: P-AUX.sch

Sheet: DRIVE



File: DRIVE.sch

FID1 Fiducial FID2 Fiducial FID3 Fiducial



Makerbase

Github : <https://github.com/makerbase-mks>

FaceBook : <https://www.facebook.com/Makerbase.mks/>

Makerbase

Sheet: /

File: MKS DLC32.sch

Title: MKS DLC32

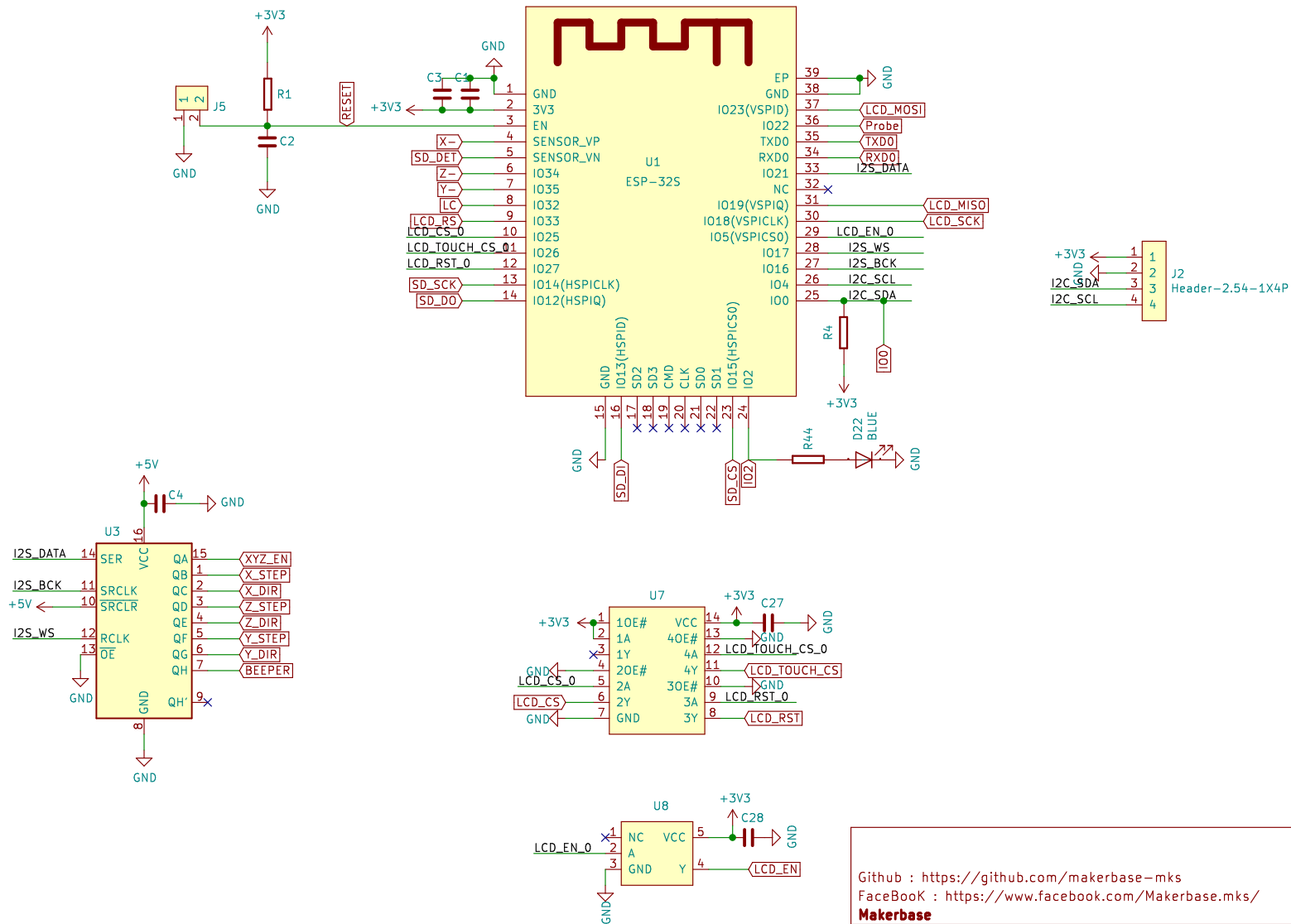
Size: A4

Date: 2021-10-15

Rev: V2.0_001

KiCad E.D.A. kicad (5.1.4)-1

Id: 1/9



Github : <https://github.com/makerbase-mks>
 FaceBook : <https://www.facebook.com/Makerbase.mks/>



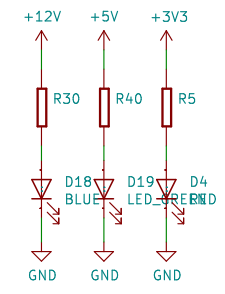
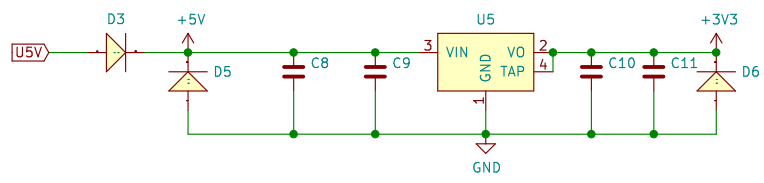
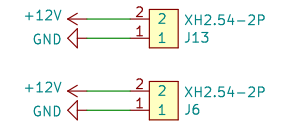
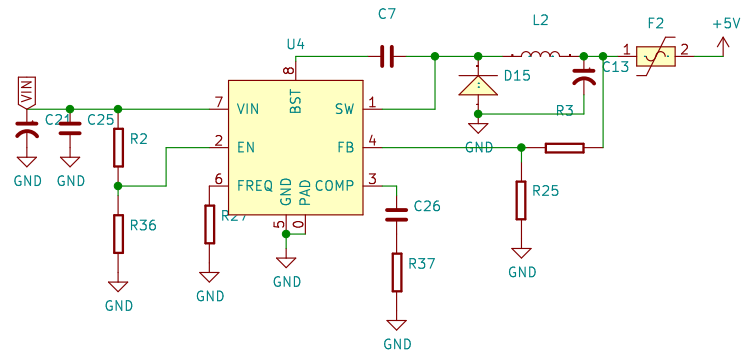
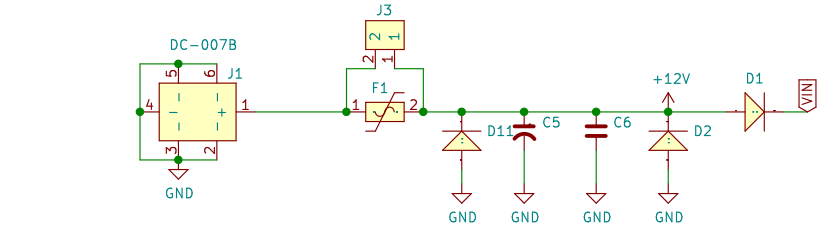
Makerbase


Sheet: /ESP32/
 File: ESP32.sch

Title: MKS DLC32

Size: A4 Date: 2021-10-15
 KiCad E.D.A. kicad (5.1.4)-1

Rev: V2.0_001
 Id: 2/9

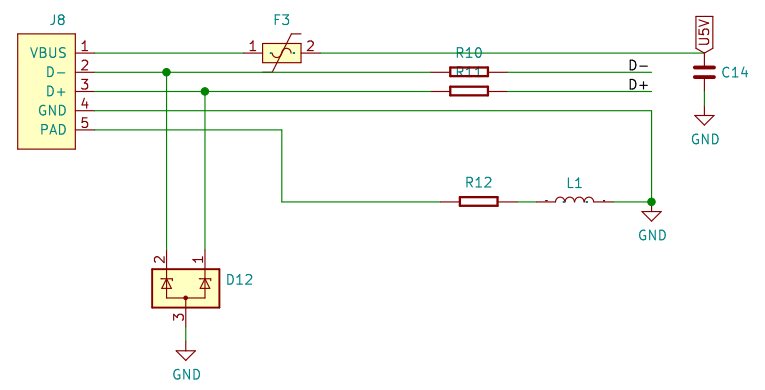
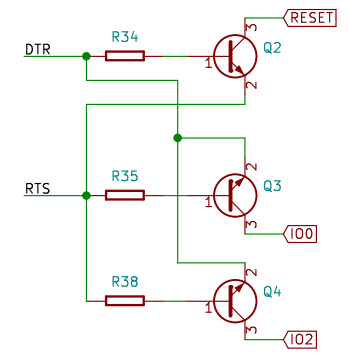
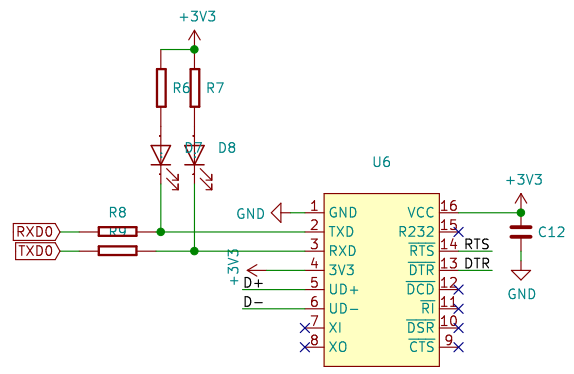



Makerbase

Github : <https://github.com/makerbase-mks>
 FaceBook : <https://www.facebook.com/Makerbase.mks/>
Makerbase
 Sheet: /POWER/
 File: POWER.sch

Title: MKS DLC32

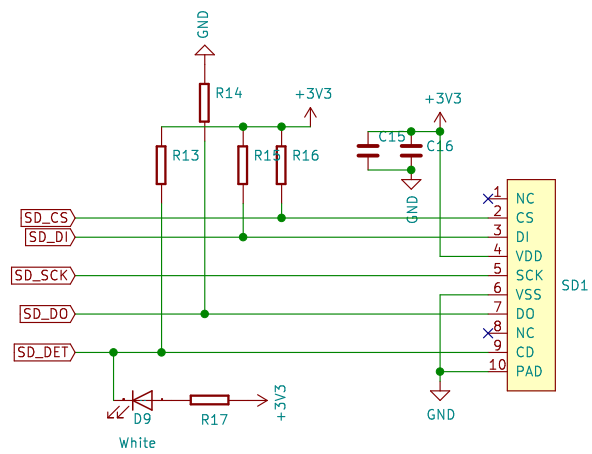
Size: A4	Date: 2021-10-15
KiCad E.D.A. kicad (5.1.4)-1	
Rev: V2.0_001	
Id: 3/9	



Github : <https://github.com/makerbase-mks>
 FaceBook : <https://www.facebook.com/Makerbase.mks/>
Makerbase
 Sheet: /USB/
 File: USB.sch



Title: MKS DLC32	
Size: A4	Date: 2021-10-15
KiCad E.D.A. kicad (5.1.4)-1	Rev: V2.0_001 Id: 4/9



Github : <https://github.com/makerbase-mks>
 FaceBook : <https://www.facebook.com/Makerbase.mks/>



Makerbase

Sheet: /SD/
 File: SD.sch

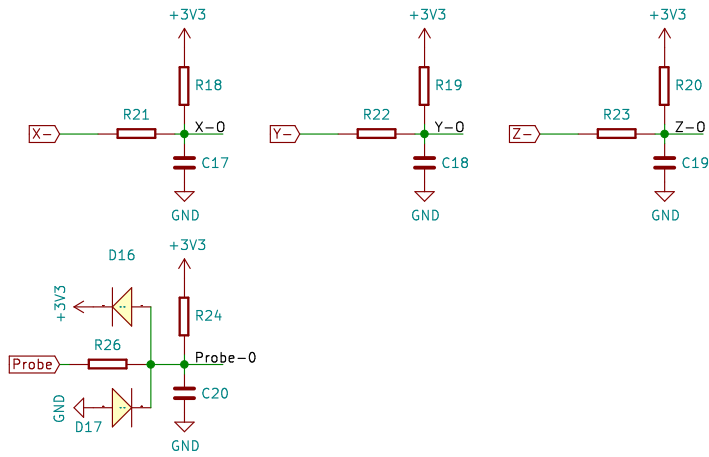
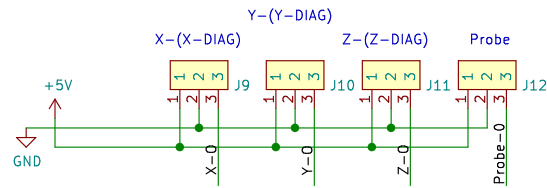
Title: MKS DLC32

Size: A4 Date: 2021-10-15

Rev: V2.0_001

KiCad E.D.A. kicad (5.1.4)-1

Id: 5/9



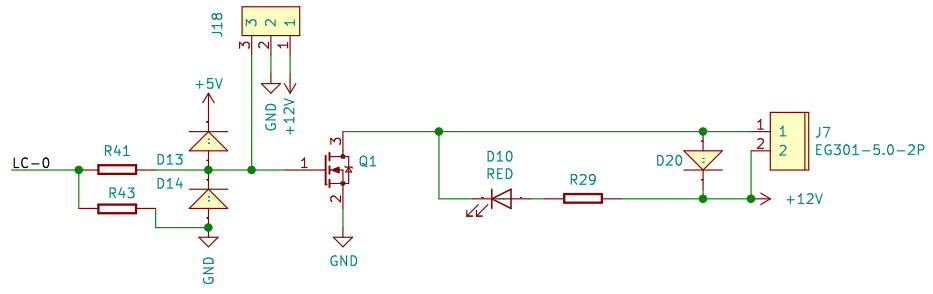
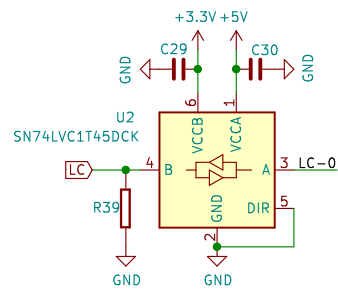
Github : <https://github.com/makerbase-mks>
 FaceBook : <https://www.facebook.com/Makerbase.mks/>



Makerbase
 Sheet: /ENDSTOP/
 File: ENDSTOP.sch

Title: MKS DLC32

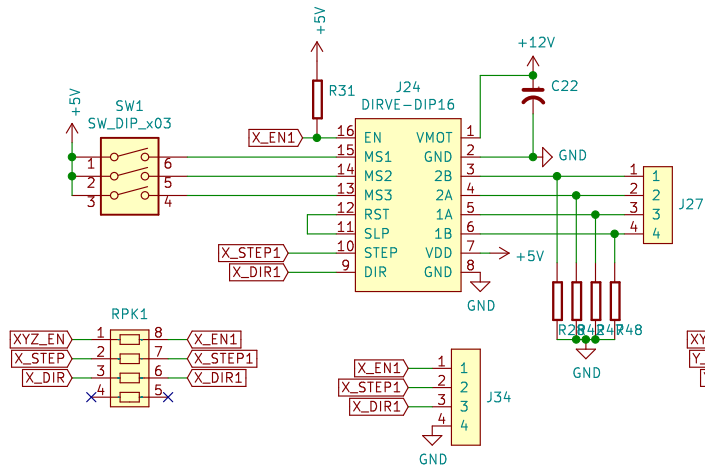
Size: A4	Date: 2021-10-15	Rev: V2.0_001
KiCad E.D.A. kicad (5.1.4)-1		Id: 6/9



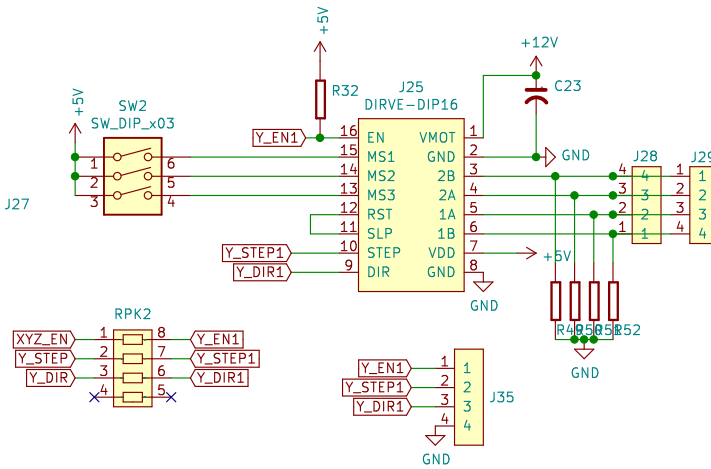
Github : <https://github.com/makerbase-mks>
 FaceBook : <https://www.facebook.com/Makerbase.mks/>



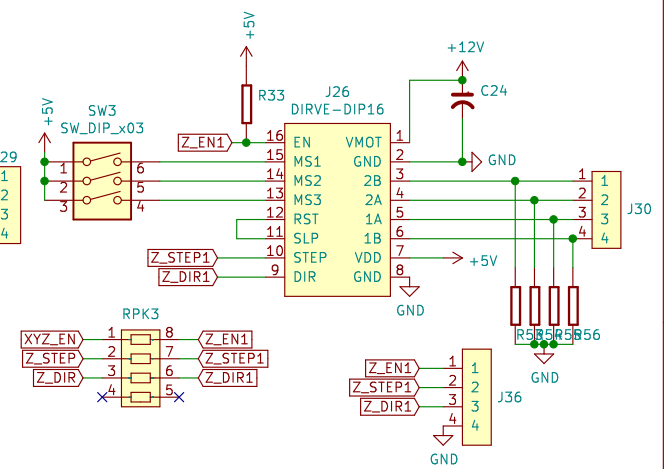
Sheet: /MOSFET/		File: MOSFET.sch	
Title: MKS DLC32			
Size: A4	Date: 2021-10-15	Rev: V2.0_001	
KiCad E.D.A. kicad (5.1.4)-1			Id: 7/9



Motor X



Motor Y



Motor Z

Github : <https://github.com/makerbase-mks>
 FaceBook : <https://www.facebook.com/Makerbase.mks/>



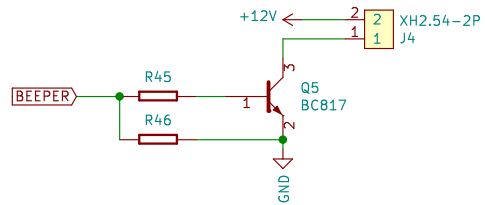
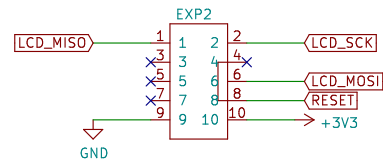
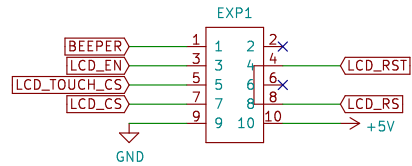
Makerbase

Sheet: /DRIVE/
 File: DRIVE.sch

Title: MKS DLC32

Size: A4 Date: 2021-10-15
 KiCad E.D.A. kicad (5.1.4)-1

Rev: V2.0_001
 Id: 8/9



Github : <https://github.com/makerbase-mks>
 FaceBook : <https://www.facebook.com/Makerbase.mks/>



Makerbase
 Sheet: /P-AUX/
 File: P-AUX.sch

Title: MKS DLC32

Size: A4 Date: 2021-10-15
 KiCad E.D.A. kicad (5.1.4)-1

Rev: V2.0_001
 Id: 9/9